

Installation Instructions

Original Instructions



GuardLogix 5580 Controllers

GuardLogix Catalog Numbers:	1756-L81ES, 1756-L82ES, 1756-L83ES, 1756-L84ES, 1756-L8SP
GuardLogix Conformal Coated Catalog Numbers	1756-L81ESK, 1756-L82ESK, 1756-L83ESK, 1756-L84ESK, 1756-L8SPK
GuardLogix XT Catalog Numbers:	1756-L81EXTS, 1756-L82EXTS, 1756-L83EXTS, 1756-L84EXTS, 1756-L8XTSP

Topic	Page
Summary of Changes	1
Product Advisories	3
Parts List	5
Required System Components	5
Product Dimensions	5
Connectors and Status Indicators	6
Install the Controller	6
Install the SD Card	7
Connect to an EtherNet/IP Network	7
Confirm Installation	7
Specifications - GuardLogix 5580 Controllers	8
Specifications - GuardLogix 5580 Conformal Coated Controllers	8
Specifications - GuardLogix XT 5580 Controllers	9
Additional Resources	10

The GuardLogix[®] 5580 controllers help enable faster system performance, capacity, productivity, and security to help meet the growing demands of smart machines and equipment for manufacturing.

- Integrated Motion over EtherNet/IP[™] for up to 256 axes.
- 1 Gb embedded Ethernet port enables high performance, communications, I/O, and motion control.
- Secure Digital (SD) card provides optional nonvolatile memory to store user program and tag data on the controller.
- Studio 5000 Automation Engineering & Design Environment[®] provides ease of system design and commissioning.
- Digitally signed and encrypted firmware helps protect against malicious intent.
- FactoryTalk[®] Security provides centralized authentication and access control by verifying the identity of each user-access attempt to the system.
- Display provides enhanced diagnostics and troubleshooting.
- GuardLogix XT controllers are designed for temperature extremes.
- GuardLogix Conformal Coated controllers and GuardLogix XT controllers are conformal coated for extended protection in harsh, corrosive environments.

The GuardLogix controller consists of a primary controller and a safety partner for SIL 3 applications that function together in a 1oo2 architecture. With a safety partner installed, GuardLogix controllers are:

- Type-approved and certified for use in safety applications up to and including SIL 3 per IEC 61508.
- EC and UK type approved for use in safety applications up to and including Performance Level PL_e (Category 4) per EN ISO 13849-1. When used without a safety partner installed, SIL CL 2 and PL_d (Category 3) are achievable.

Summary of Changes

This manual contains new and updated information. This list includes substantive updates only and is not intended to reflect all changes.

Topic	Page
Added GuardLogix XT catalog numbers and information.	Throughout





ATTENTION: Read this document and the documents listed in the Additional Resources section about installation, configuration and operation of this equipment before you install, configure, operate or maintain this product. Users are required to familiarize themselves with installation and wiring instructions in addition to requirements of all applicable codes, laws, and standards.

Activities including installation, adjustments, putting into service, use, assembly, disassembly, and maintenance are required to be carried out by suitably trained personnel in accordance with applicable code of practice. If this equipment is used in a manner not specified by the manufacturer, the protection provided by the equipment may be impaired.

注意：在安装、配置、操作和维护本产品前，请阅读本文档以及“其他资源”部分列出的有关设备安装、配置和操作的相应文档。除了所有适用规范、法律和标准的相关要求之外，用户还必须熟悉安装和接线说明。

安装、调整、投运、使用、组装、拆卸和维护等各项操作必须由经过适当训练的专业人员按照适用的操作规范实施。

如果未按照制造商指定的方式使用该设备，则可能会损害设备提供的保护。

ATENCIÓN: Antes de instalar, configurar, poner en funcionamiento o realizar el mantenimiento de este producto, lea este documento y los documentos listados en la sección Recursos adicionales acerca de la instalación, configuración y operación de este equipo. Los usuarios deben familiarizarse con las instrucciones de instalación y cableado y con los requisitos de todos los códigos, leyes y estándares vigentes.

El personal debidamente capacitado debe realizar las actividades relacionadas a la instalación, ajustes, puesta en servicio, uso, ensamblaje, desensamblaje y mantenimiento de conformidad con el código de práctica aplicable. Si este equipo se usa de una manera no especificada por el fabricante, la protección provista por el equipo puede resultar afectada.

ATENÇÃO: Leia este e os demais documentos sobre instalação, configuração e operação do equipamento que estão na seção Recursos adicionais antes de instalar, configurar, operar ou manter este produto. Os usuários devem se familiarizar com as instruções de instalação e fiação além das especificações para todos os códigos, leis e normas aplicáveis.

É necessário que as atividades, incluindo instalação, ajustes, colocação em serviço, utilização, montagem, desmontagem e manutenção sejam realizadas por pessoal qualificado e especializado, de acordo com o código de prática aplicável.

Caso este equipamento seja utilizado de maneira não estabelecida pelo fabricante, a proteção fornecida pelo equipamento pode ficar prejudicada.

ВНИМАНИЕ: Перед тем как устанавливать, настраивать, эксплуатировать или обслуживать данное оборудование, прочитайте этот документ и документы, перечисленные в разделе «Дополнительные ресурсы». В этих документах изложены сведения об установке, настройке и эксплуатации данного оборудования. Пользователи обязаны ознакомиться с инструкциями по установке и прокладке соединений, а также с требованиями всех применимых норм, законов и стандартов.

Все действия, включая установку, наладку, ввод в эксплуатацию, использование, сборку, разборку и техническое обслуживание, должны выполняться обученным персоналом в соответствии с применимыми нормами и правилами.

Если оборудование используется не предусмотренным производителем образом, защита оборудования может быть нарушена.

注意：本製品を設置、構成、稼働または保守する前に、本書および本機器の設置、設定、操作についての参考資料の該当箇所に記載されている文書に目を通してください。ユーザは、すべての該当する条例、法律、規格の要件に加えて、設置および配線の手順に習熟している必要があります。

設置調整、運転の開始、使用、組立て、解体、保守を含む諸作業は、該当する実施規則に従って訓練を受けた適切な作業員が実行する必要があります。

本機器が製造メーカーにより指定されていない方法で使用されている場合、機器により提供されている保護が損なわれる恐れがあります。

ACHTUNG: Lesen Sie dieses Dokument und die im Abschnitt „Weitere Informationen“ aufgeführten Dokumente, die Informationen zu Installation, Konfiguration und Bedienung dieses Produkts enthalten, bevor Sie dieses Produkt installieren, konfigurieren, bedienen oder warten. Anwender müssen sich neben den Bestimmungen aller anwendbaren Vorschriften, Gesetze und Normen zusätzlich mit den Installations- und Verdrahtungsanweisungen vertraut machen.

Arbeiten im Rahmen der Installation, Anpassung, Inbetriebnahme, Verwendung, Montage, Demontage oder Instandhaltung dürfen nur durch ausreichend geschulte Mitarbeiter und in Übereinstimmung mit den anwendbaren Ausführungsvorschriften vorgenommen werden.

Wenn das Gerät in einer Weise verwendet wird, die vom Hersteller nicht vorgesehen ist, kann die Schutzfunktion beeinträchtigt sein.

ATTENTION: Lisez ce document et les documents listés dans la section Ressources complémentaires relatifs à l'installation, la configuration et le fonctionnement de cet équipement avant d'installer, configurer, utiliser ou entretenir ce produit. Les utilisateurs doivent se familiariser avec les instructions d'installation et de câblage en plus des exigences relatives aux codes, lois et normes en vigueur.

Les activités relatives à l'installation, le réglage, la mise en service, l'utilisation, l'assemblage, le démontage et l'entretien doivent être réalisées par des personnes formées selon le code de pratique en vigueur.

Si cet équipement est utilisé d'une façon qui n'a pas été définie par le fabricant, la protection fournie par l'équipement peut être compromise.

주요: 본 제품 설치, 설정, 작동 또는 유지 보수가 하기 전에 본 문서를 포함하여 설치, 설정 및 작동에 관한 참고 자료 섹션의 문서들을 반드시 읽고 숙지하십시오. 사용자는 모든 관련 규정, 법규 및 표준에서 요구하는 사항에 대해 반드시 설치 및 배선 지침을 숙지해야 합니다.

설치, 조정, 가동, 사용, 조립, 분해, 유지보수 등 모든 작업은 관련 규정에 따라 적절한 교육을 받은 사용자를 통해서만 수행해야 합니다.

본 장비를 제조사가 명시하지 않은 방법으로 사용하면 장비의 보호 기능이 손상될 수 있습니다.

ATTENZIONE: Prima di installare, configurare ed utilizzare il prodotto, o effettuare interventi di manutenzione su di esso, leggere il presente documento ed i documenti elencati nella sezione "Altre risorse", riguardanti l'installazione, la configurazione ed il funzionamento dell'apparecchiatura. Gli utenti devono leggere e comprendere le istruzioni di installazione e cablaggio, oltre ai requisiti previsti dalle leggi, codici e standard applicabili.

Le attività come installazione, regolazioni, utilizzo, assemblaggio, disassemblaggio e manutenzione devono essere svolte da personale adeguatamente addestrato, nel rispetto delle procedure previste.

Qualora l'apparecchio venga utilizzato con modalità diverse da quanto previsto dal produttore, la sua funzione di protezione potrebbe venire compromessa.

DİKKAT: Bu ürünün kurulumu, yapılandırılması, işletilmesi veya bakımı öncesinde bu dokümanı ve bu ekipmanın kurulumu, yapılandırılması ve işletimi ile ilgili ilave Kaynaklar bölümünde yer listelenmiş dokümanları okuyun. Kullanıcılar yürürlükteki tüm yönetmelikler, yasalar ve standartların gereksinimlerine ek olarak kurulum ve kablolama talimatlarını da öğrenmek zorundadır. Kurulum, ayarlama, hizmete alma, kullanma, parçaları birleştirme, parçaları sökme ve bakım gibi aktiviteler sadece uygun eğitimleri almış kişiler tarafından yürürlükteki uygulamaya yönetmeliklerine uygun şekilde yapılabilir.

Bu ekipman üretici tarafından belirlenmiş amacın dışında kullanılırsa, ekipman tarafından sağlanan koruma bozulabilir.

注意事項：在安装、設定、操作或維護本产品前，請先閱讀此文件以及列於「其他資源」章節中有關安裝、設定與操作此設備的文件。使用者必須熟悉安裝和配線指示，並符合所有法規、法律和標準要求。

包括安裝、調整、交付使用、使用、組裝、拆卸和維護等動作都必須交由已經過適當訓練的人員進行，以符合適用的實作法規。

如果將設備用於非製造商指定的用途時，可能會造成設備所提供的保護功能受損。

POZOR: Než začnete instalovat, konfigurovat či provozovat tento výrobek nebo provádět jeho údržbu, přečtěte si tento dokument a dokumenty uvedené v části Dodatečné zdroje ohledně instalace, konfigurace a provozu tohoto zařízení. Uživatelé se musejí vedle požadavků všech relevantních vyhlášek, zákonů a norem nutně seznámit také s pokyny pro instalaci a elektrické zapojení.

Činnosti zahrnující instalaci, nastavení, uvedení do provozu, užívání, montáž, demontáž a údržbu musí vykonávat vhodně proškolený personál v souladu s příslušnými prováděcími předpisy. Pokud se toto zařízení používá způsobem neodpovídajícím specifikaci výrobce, může být narušena ochrana, kterou toto zařízení poskytuje.

UWAGA: Przed instalacją, konfiguracją, użytkowaniem lub konserwacją tego produktu należy przeczytać niniejszy dokument oraz wszystkie dokumenty wymienione w sekcji Dodatkowe źródła omawiające instalację, konfigurację i procedury użytkowania tego urządzenia. Użytkownicy mają obowiązek zapoznać się z instrukcjami dotyczącymi instalacji oraz oprzewodowania, jak również z obowiązującymi kodeksami, prawem i normami.

Działania obejmujące instalację, regulację, przekazanie do użytkowania, użytkowanie, montaż, demontaż oraz konserwację muszą być wykonywane przez odpowiednio przeszkolony personel zgodnie z obowiązującym kodeksem postępowania.

Jeśli urządzenie jest użytkowane w sposób inny niż określony przez producenta, zabezpieczenie zapewniane przez urządzenie może zostać ograniczone.

OBS! Läs detta dokument samt dokumentet, som står listat i avsnittet Övriga resurser, om installation, konfigurering och drift av denna utrustning innan du installerar, konfigurerar eller börjar använda eller utföra underhållsarbete på produkten. Användare måste bekanta sig med instruktioner för installation och kabeldragning, förutom krav enligt gällande koder, lagar och standarder.

Åtgärder som installation, justering, service, användning, montering, demontering och underhållsarbete måste utföras av personal med lämplig utbildning enligt lämpligt bruk.

Om denna utrustning används på ett sätt som inte anges av tillverkaren kan det hända att utrustningens skyddsanordningar försätts ur funktion.

LET OP: Lees dit document en de documenten die genoemd worden in de paragraaf Aanvullende informatie over de installatie, configuratie en bediening van deze apparatuur voordat u dit product installeert, configureert, bedient of onderhoudt. Gebruikers moeten zich vertrouwd maken met de installatie en de bedringsinstructies, naast de vereisten van alle toepasselijke regels, wetten en normen.

Activiteiten zoals het installeren, afstellen, in gebruik stellen, gebruiken, monteren, demonteren en het uitvoeren van onderhoud mogen uitsluitend worden uitgevoerd door hiervoor opgeleide personeel en in overeenstemming met de geldende praktijkregels.

Indien de apparatuur wordt gebruikt op een wijze die niet is gespecificeerd door de fabrikant, dan bestaat het gevaar dat de beveiliging van de apparatuur niet goed werkt.

Product Advisories



ATTENTION:

- In case of malfunction or damage, no attempts at repair should be made. The module should be returned to the manufacturer for repair. Do not dismantle the module.
- The USB port is intended for temporary local programming purposes only and not intended for permanent connection. The USB cable is not to exceed 3.0 m (9.84 ft) and must not contain hubs.
- Use only a soft dry anti-static cloth to wipe down equipment. Do not use any cleaning agents.
- When GuardLogix and GuardLogix Conformal Coated controllers are installed in a 1756 Series C Chassis, this equipment is certified for use only within the surrounding air temperature range of 0...60 °C (32...140 °F). The equipment must not be used outside of this range.
- When GuardLogix and GuardLogix Conformal Coated controllers are installed in a 1756 Series B Chassis, this equipment is certified for use only within the surrounding air temperature range of 0...50 °C (32...122 °F). The equipment must not be used outside of this range.
- When GuardLogix XT controllers are installed in a ControlLogix-XT™ Series C Chassis, this equipment is certified for use only within the surrounding air temperature range of -25...+70 °C (-13...+158 °F). The equipment must not be used outside of this range.




WARNING:

- When you press the reset button while power is on, an electrical arc can occur. This could cause an explosion in hazardous location installations. Be sure that power is removed or the area is nonhazardous before proceeding.
- Do not use the USB port in hazardous locations.

North American Hazardous Location Approval

The following information applies when operating this equipment in hazardous locations.	Informations sur l'utilisation de cet équipement en environnements dangereux.	
<p>Products marked "CL I, DIV 2, GP A, B, C, D" are suitable for use in Class I Division 2 Groups A, B, C, D, Hazardous Locations and nonhazardous locations only. Each product is supplied with markings on the rating nameplate indicating the hazardous location temperature code. When combining products within a system, the most adverse temperature code (lowest "T" number) may be used to help determine the overall temperature code of the system. Combinations of equipment in your system are subject to investigation by the local Authority Having Jurisdiction at the time of installation.</p>	<p>Les produits marqués "CL I, DIV 2, GP A, B, C, D" ne conviennent qu'à une utilisation en environnements de Classe I Division 2 Groupes A, B, C, D dangereux et non dangereux. Chaque produit est livré avec des marquages sur sa plaque d'identification qui indiquent le code de température pour les environnements dangereux. Lorsque plusieurs produits sont combinés dans un système, le code de température le plus défavorable (code de température le plus faible) peut être utilisé pour déterminer le code de température global du système. Les combinaisons d'équipements dans le système sont sujettes à inspection par les autorités locales qualifiées au moment de l'installation.</p>	
	<p>WARNING: Explosion Hazard -</p> <ul style="list-style-type: none"> • Do not disconnect equipment unless power has been removed or the area is known to be nonhazardous. • Do not disconnect connections to this equipment unless power has been removed or the area is known to be nonhazardous. Secure any external connections that mate to this equipment by using screws, sliding latches, threaded connectors, or other means provided with this product. • Substitution of components may impair suitability for Class I, Division 2. • If this product contains batteries, they must only be changed in an area known to be nonhazardous. 	<p>AVERTISSEMENT: Risque d'Explosion -</p> <ul style="list-style-type: none"> • Couper le courant ou s'assurer que l'environnement est classé non dangereux avant de débrancher l'équipement. • Couper le courant ou s'assurer que l'environnement est classé non dangereux avant de débrancher les connecteurs. Fixer tous les connecteurs externes reliés à cet équipement à l'aide de vis, loquets coulissants, connecteurs filetés ou autres moyens fournis avec ce produit. • La substitution de composants peut rendre cet équipement inadapté à une utilisation en environnement de Classe I, Division 2. • S'assurer que l'environnement est classé non dangereux avant de changer les piles.

UK and European Hazardous Location Approval

The following applies to products marked , II 3 G. Such modules:

- Are Equipment Group II, Equipment Category 3, and comply with the Essential Health and Safety Requirements relating to the design and construction of such equipment given in Annex II to EU Directive 2014/34/EU and Schedule 1 of the UKEX Regulation 2016 No. 1107. See the UKEX and EU Declaration of Conformity at rok.auto/certifications for details.
- The type of protection is <Ex ec IIC T4 Gc> Equipment protection by increased safety "e".
- Equipment protection by increased safety "e", reference certificate number UL22ATEX2817X and UL22UKEX2601X.
- Are intended for use in areas in which explosive atmospheres caused by gases, vapors, mists, or air are unlikely to occur, or are likely to occur only infrequently and for short periods. Such locations correspond to Zone 2 classification according to UKEX Regulation 2016 No. 1107 and ATEX directive 2014/34/EU.

IEC Hazardous Location Approval

The following applies to products with IECEx certification.

- Such products are intended for use in areas in which explosive atmospheres caused by gases, vapors, mists, or air are unlikely to occur, or are likely to occur only infrequently and for short periods. Such locations correspond to Zone 2 classification.
- The type of protection is <Ex ec IIC T4 Gc>.
- IECEx certificate number IECEx UL 22.0062X.

Special Conditions for Safe Use



WARNING:

- This equipment is not resistant to sunlight or other sources of UV radiation.
 - This equipment shall be mounted in an UKEX/ATEX/IECEX Zone 2 certified enclosure with a minimum ingress protection rating of at least IP54 (in accordance with EN/IEC 60079-0) and used in an environment of not more than Pollution Degree 2 (as defined in EN/IEC 60664-1) when applied in Zone 2 environments. The enclosure must be accessible only by the use of a tool.
 - This equipment shall be used within its specified ratings defined by Rockwell Automation.
 - Provision shall be made to prevent the rated voltage from being exceeded by transient disturbances of more than 140% of the peak rated voltage when applied in Zone 2 environments.
 - The instructions in the user manual shall be observed.
 - Secure any external connections that mate to this equipment by using screws, sliding latches, threaded connectors, or other means provided with this product.
 - Do not disconnect equipment unless power has been removed or the area is known to be nonhazardous.
 - This equipment must be used only with UKEX/ATEX/IECEX certified Rockwell Automation® backplanes.
 - The USB port is intended for temporary local programming purposes only and not intended for permanent connection. Do not use the USB port in hazardous locations.
-

Environment and Enclosure



ATTENTION:

This equipment is intended for use in a Pollution Degree 2 industrial environment, in overvoltage Category II applications (as defined in IEC 60664-1), at altitudes up to 2000 m (6562 ft) without derating.

This equipment is not intended for use in residential environments and may not provide adequate protection to radio communication services in such environments.

This equipment is supplied as open-type equipment for indoor use. It must be mounted within an enclosure that is suitably designed for those specific environmental conditions that will be present and appropriately designed to help prevent personal injury resulting from accessibility to live parts. The enclosure must have suitable flame-retardant properties to help prevent or minimize the spread of flame, complying with a flame spread rating of 5VA or be approved for the application if nonmetallic. The interior of the enclosure must be accessible only by the use of a tool. Subsequent sections of this publication may contain additional information regarding specific enclosure type ratings required to comply with certain product safety certifications.

In addition to this publication, see the following:

- Industrial Automation Wiring and Grounding Guidelines, publication [1770-4.1](#), for additional installation requirements.
 - NEMA Standard 250 and EN/IEC 60529, as applicable, for explanations of the degrees of protection provided by enclosures.
-

Programmable Electronic Systems (PES)



ATTENTION: Personnel responsible for the application of safety-related Programmable Electronic Systems (PES) shall be aware of the safety requirements in the application of the system and shall be trained in using the system.

IMPORTANT

Any illustrations, charts, sample programs, and layout examples that are shown in this publication are intended solely for the purposes of example. Since there are many variables and requirements that are associated with any particular installation, Rockwell Automation does not assume responsibility or liability for actual use based upon the examples that are shown in this publication.

Parts List

The controller ships with these parts:

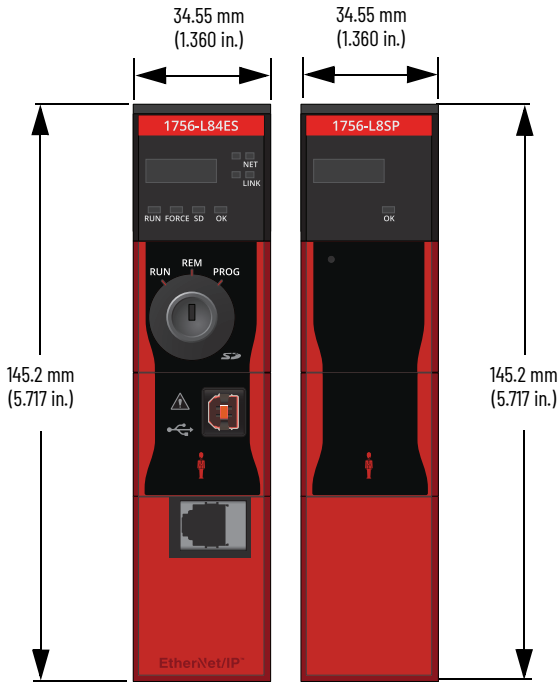
- A key for the mode switch
- 2 GB Secure Digital Card (1784-SD2), preinstalled in the controller

Required System Components

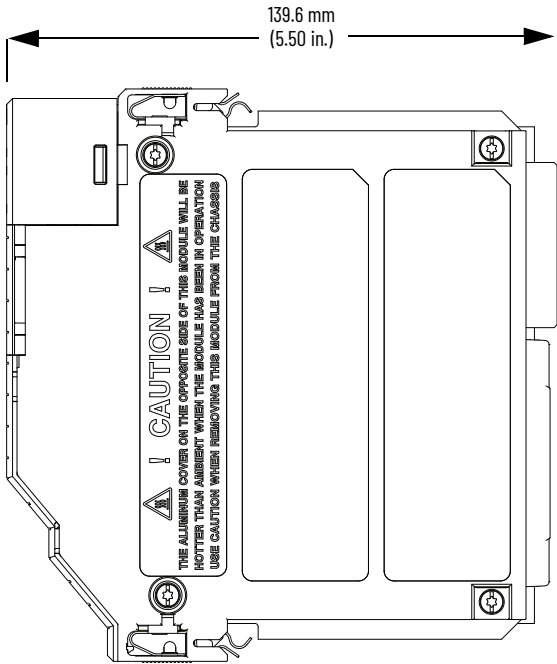
To use the controller, a chassis and power supply are required. The GuardLogix 5580 controllers are compatible with these chassis and power supplies. For controller and chassis operating specifications, see the 1756 ControlLogix Controller Specifications Technical Data, publication [1756-T0001](#).

Component	Catalog Number
Chassis, series C and series B	1756-A4, 1756-A4K, 1756-A7, 1756-A7K, 1756-A10, 1756-A10K, 1756-A13, 1756-A13K, 1756-A17, 1756-A17 K
Power supply, standard	1756-PA72, 1756-PA72K, 1756-PA75, 1756-PA75K, 1756-PB72, 1756-PB72K, 1756-PB75, 1756-PB75K, 1756-PH75, 1756-PC75
Power supply, standard slim	1756-PA50, 1756-PA50K, 1756-PB50, 1756-PB50K
Power supply, redundant	1756-PA75R, 1756-PA75RK, 1756-PB75R, 1756-PB75RK, 1756-PSCA2, 1756-PSCA2K
ControlLogix-XT Chassis, series C	1756-A7XT, 1756-A10XT
ControlLogix-XT Power supply	1756-PAXT, 1756-PBXT
ControlLogix-XT Slim Power supply	1756-PA30XT, 1756-PB30XT
ControlLogix-XT Redundant Power supply	1756-PAXTR, 1756-PBXTTR

Product Dimensions

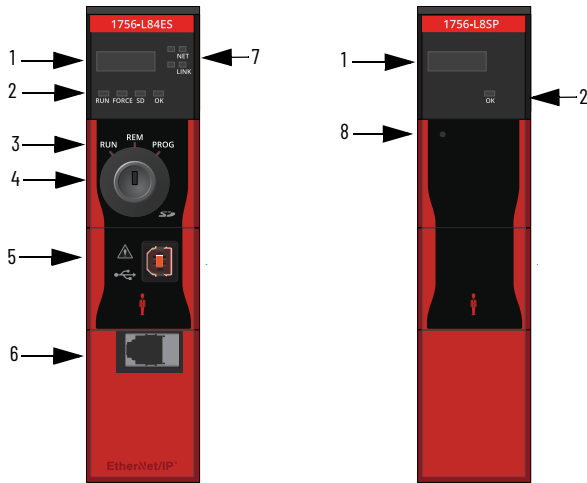


Front view: GuardLogix 5580 Controller, GuardLogix 5580 Safety Partner



Side view: GuardLogix 5580 Controller, GuardLogix 5580 Safety Partner

Connectors and Status Indicators



Item	Description
1	4-character display
2	Status Indicators
3	Mode switch (Remote, Run, Program)
4	SD card slot and Reset Button behind the door
5	USB Port
6	Ethernet Port
7	Ethernet Status Indicators
8	Safety Partner Reset Button

Install the Controller



ATTENTION: If you are using GuardLogix and GuardLogix Conformal Coated controllers in a SIL 2/PLd application, you must use a Series B chassis (derating to +50 °C [+122 °F]) or Series C chassis.

NOTE: For GuardLogix controllers, if operating above +55 °C (+131 °F) in a SIL 2/PLd application, do not install modules greater than 6.2 W in slots that are next to the controller.

NOTE: For GuardLogix XT controllers, if operating above +65 °C (+149 °F) in a SIL 2/PLd application, do not install modules greater than 6.2 W in slots that are next to the controller.

ATTENTION: If you are using GuardLogix and GuardLogix Conformal Coated controllers in a SIL3/PLe application, you can use a Series B chassis (derating to +50 °C [+122 °F]) or Series C chassis with no restrictions.



WARNING: When you insert or remove the module while backplane power is on, an electric arc can occur. This could cause an explosion in hazardous location installations. Be sure that power is removed or the area is nonhazardous before proceeding. Repeated electrical arcing causes excessive wear to contacts on both the module and its mating connector. Worn contacts may create electrical resistance that can affect module operation.



ATTENTION: The GuardLogix Conformal Coated and GuardLogix XT controllers that are listed on [page 1](#) of this document are shipped with port protection plugs installed to provide a layer of protection from corrosive atmospheres. Port plugs must remain installed in unused ports at all times during storage and operation for the product to meet its corrosive atmosphere rating. If temporary access is required, plugs can be removed, and should be reinserted after temporary access is complete.

Before you install the controller, make sure to see these ControlLogix® Chassis and Power Supply Installation Instructions:

- ControlLogix Chassis Installation Instructions, publication [1756-IN621](#)
- ControlLogix Power Supply Installation Instructions, publication [1756-IN619](#)
- ControlLogix Redundant Power Supply Installation Instructions, publication [1756-IN620](#)

When installing a GuardLogix controller, you can do the following:

- Place the controller in any slot. For SIL 3/PLe applications, install the safety partner in the slot immediately to the right of the primary controller.
- Use multiple controllers in the same chassis.

You can install or remove a GuardLogix controller while chassis power is on and the system is operating.

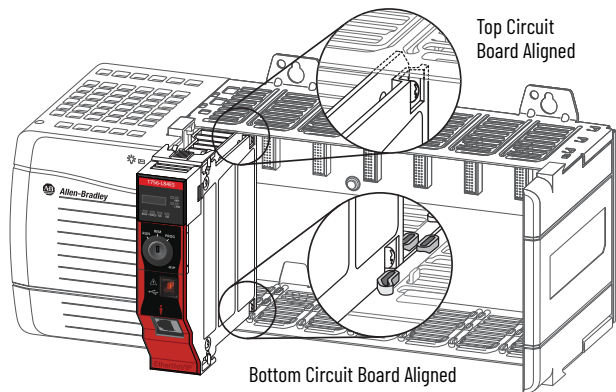


ATTENTION: This equipment is sensitive to electrostatic discharge, which can cause internal damage and affect normal operation.

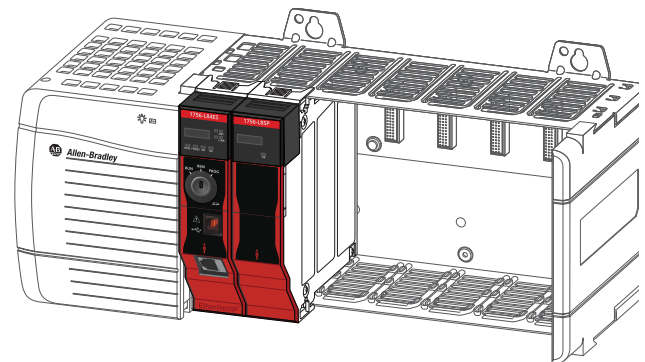
Follow these guidelines when you handle this equipment:

- Touch a grounded object to discharge potential static.
- Wear an approved grounding wriststrap.
- Do not touch connectors or pins on component boards.
- Do not touch circuit components inside the equipment.
- Use a static-safe workstation, if available.
- Store the equipment in appropriate static-safe packaging when not in use.

1. Align the circuit board with the top and bottom guides in the chassis.



2. Slide the module into the chassis until it snaps into place.
3. Verify that the controller is flush with the power supply or other installed modules.
4. For SIL 3/PLe applications, repeat steps 1...3 to install the safety partner in the slot immediately to the right of the primary controller.



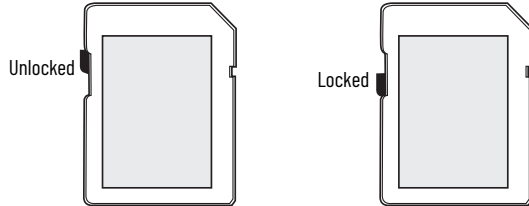
Install the SD Card



WARNING: When you insert or remove the SD memory card while power is on, an electric arc can occur. This could cause an explosion in hazardous location installations. Be sure that power is removed or the area is nonhazardous before proceeding.

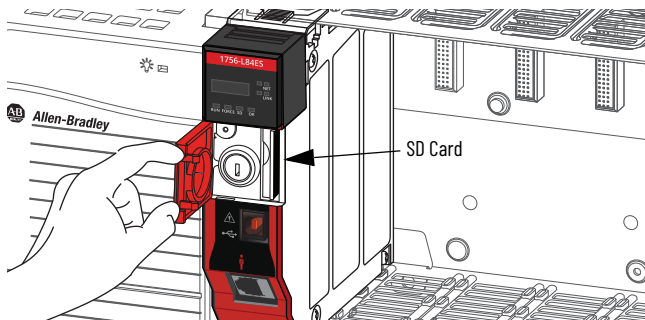
If the SD card is not already installed in the controller, then complete these steps to install the SD card.

1. Verify that the SD card is locked or unlocked according to your preference.

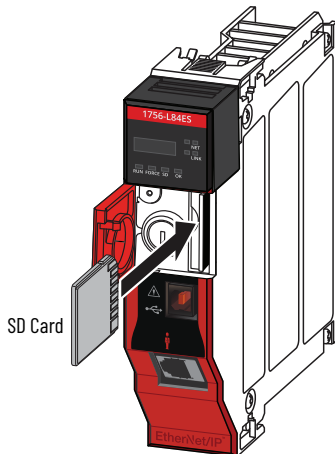


For more information about the lock/unlock memory settings, see the ControlLogix 5580 and GuardLogix 5580 Controllers User Manual, publication [1756-UM543](#).

2. Remove the key.
3. To access the SD card slot, open the door on the controller key panel.

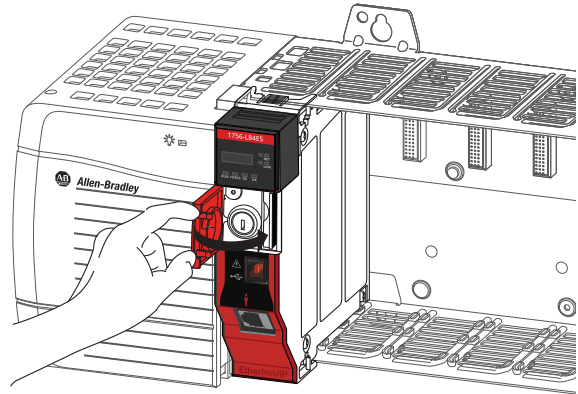


4. Position the SD card so that the contact end goes into the controller, with the contacts on the right, label on the left, and a beveled corner on top.



5. Insert the SD card into the card slot and gently press the card until it clicks into place.
6. The card slides in easily, if it is oriented correctly. You can insert the card only one way.

7. Close the door.



8. Reinsert the key, if desired.

Connect to an EtherNet/IP Network



WARNING: If you connect or disconnect the communications cable with power applied to this module or any device on the network, an electric arc can occur. This could cause an explosion in hazardous location installations. Be sure that power is removed or the area is nonhazardous before proceeding.

If you are connecting the controller directly to an EtherNet/IP network, then connect an RJ45 cable to the Ethernet port on the controller.



ATTENTION: 10 Mbps Ethernet automatic negotiations are functional. However, 10 Mbps Ethernet connections are not fully supported or intended for normal use. Use 10 Mbps Ethernet connections only if necessary during temporary setup.

Confirm Installation

After you insert the controller into the chassis and apply power, the 4-character display and status indicators provide information about the controller.

See the ControlLogix 5580 and GuardLogix 5580 Controllers User Manual, publication [1756-UM543](#), for information on how to interpret the 4-character display messages and the status indicators.

Specifications - GuardLogix 5580 Controllers

Attribute	1756-L81ES, 1756-L82ES, 1756-L83ES, 1756-L84ES, 1756-L8SP
Temperature, operating (SIL 2/PLd) IEC 60068-2-1 (Test Ae, Operating Cold), IEC 60068-2-2 (Test Be, Operating Dry Heat), IEC 60068-2-14 (Test Nb, Operating Thermal Shock)	0 °C ≤ Ta ≤ +60 °C (+32 °F ≤ Ta ≤ +140 °F) for Series C Chassis Note: If operating above +55 °C (+131 °F), modules greater than 6.2 W shall not be installed in slots that are next to the controller.
Temperature, operating (SIL 3/PLe) IEC 60068-2-1 (Test Ae, Operating Cold), IEC 60068-2-2 (Test Be, Operating Dry Heat), IEC 60068-2-14 (Test Nb, Operating Thermal Shock)	0 °C ≤ Ta ≤ +60 °C (+32 °F ≤ Ta ≤ +140 °F) for Series C Chassis 0 °C ≤ Ta ≤ +50 °C (+32 °F ≤ Ta ≤ +122 °F) for Series B Chassis
Temperature, Surrounding Air, max (SIL 2/PLd)	60 °C (140 °F) for Series C Chassis Note: If operating above +55 °C (+131 °F), modules greater than 6.2 W shall not be installed in slots that are next to the controller.
Temperature, Surrounding Air, max (SIL 3/PLe)	60 °C (140 °F) for Series C Chassis 50 °C (122 °F) for Series B Chassis
Enclosure type rating	None (open-style)
Voltage and current ratings	1.20 A @ 5.1V DC 5.0 mA @ 1.2V DC
Isolation Voltage	50V (continuous), Basic Insulation Type, Ethernet to Backplane, USB to Backplane, and USB to Ethernet Type tested at 1000V AC for 60 seconds
Weight, approx	394 g (0.868 lb)
Wire size	Ethernet connections: Ethernet Cabling and Installation according to IEC 61918 and IEC 61784-5-2.
North American/ATEX/IECEX temperature code	T4

Specifications - GuardLogix 5580 Conformal Coated Controllers

Attribute	1756-L81ESK, 1756-L82ESK, 1756-L83ESK, 1756-L84ESK, 1756-L8SPK
Temperature, operating (SIL 2/PLd) IEC 60068-2-1 (Test Ae, Operating Cold), IEC 60068-2-2 (Test Be, Operating Dry Heat), IEC 60068-2-14 (Test Nb, Operating Thermal Shock)	0 °C ≤ Ta ≤ +60 °C (+32 °F ≤ Ta ≤ +140 °F) for Series C Chassis Note: If operating above +55 °C (+131 °F), modules greater than 6.2 W shall not be installed in slots that are next to the controller.
Temperature, operating (SIL 3/PLe) IEC 60068-2-1 (Test Ae, Operating Cold), IEC 60068-2-2 (Test Be, Operating Dry Heat), IEC 60068-2-14 (Test Nb, Operating Thermal Shock)	0 °C ≤ Ta ≤ +60 °C (+32 °F ≤ Ta ≤ +140 °F) for Series C Chassis 0 °C ≤ Ta ≤ +50 °C (+32 °F ≤ Ta ≤ +122 °F) for Series B Chassis
Temperature, Surrounding Air, max (SIL 2/PLd)	60 °C (140 °F) for Series C Chassis Note: If operating above +55 °C (+131 °F), modules greater than 6.2 W shall not be installed in slots that are next to the controller.
Temperature, Surrounding Air, max (SIL 3/PLe)	60 °C (140 °F) for Series C Chassis 50 °C (122 °F) for Series B Chassis
Enclosure type rating	None (open-style)
Corrosive Atmosphere • ASTM B845-97 Method H Accelerated Test (20-Day Exposure)	Severity Level G3 ⁽¹⁾ per ANSI/ISA 71.04-2013, Airborne Contaminants—Gases Severity Level CX ⁽²⁾ per IEC 60721-3-3:2019, Chemically Active Substances
Voltage and current ratings	1.20 A @ 5.1V DC 5.0 mA @ 1.2V DC
Isolation Voltage	50V (continuous), Basic Insulation Type, Ethernet to Backplane, USB to Backplane, and USB to Ethernet Type tested at 1000V AC for 60 seconds
Weight, approx	394 g (0.868 lb)
Wire size	Ethernet connections: Ethernet Cabling and Installation according to IEC 61918 and IEC 61784-5-2.
North American/ATEX/IECEX temperature code	T4

- (1) Port Plugs must remain installed in unused ports at all times during storage and operation for the product to meet its corrosive atmosphere rating.
(2) Up to 9.6 microns per year, corrosion rate of copper.

Specifications - GuardLogix XT 5580 Controllers

Attribute	1756-L81EXTS, 1756-L82EXTS, 1756-L83EXTS, 1756-L84EXTS, 1756-L8XTSP
Temperature, operating (SIL 2/PLd) IEC 60068-2-1 (Test Ae, Operating Cold), IEC 60068-2-2 (Test Be, Operating Dry Heat), IEC 60068-2-14 (Test Nb, Operating Thermal Shock)	-25 °C ≤ Ta ≤ +70 °C (-13°F ≤ Ta ≤ +158 °F) for XT Chassis, Series C Note: If operating above +65 °C (+149 °F), modules greater than 6.2 W shall not be installed in slots that are next to the controller.
Temperature, operating (SIL 3/PLe) IEC 60068-2-1 (Test Ae, Operating Cold), IEC 60068-2-2 (Test Be, Operating Dry Heat), IEC 60068-2-14 (Test Nb, Operating Thermal Shock)	-25 °C ≤ Ta ≤ +70 °C (-13°F ≤ Ta ≤ +158 °F) for XT Chassis, Series C
Temperature, Surrounding Air, max (SIL 2/PLd)	70 °C (158 °F) for XT Chassis, Series C Note: If operating above +65 °C (+149 °F), modules greater than 6.2 W shall not be installed in slots that are next to the controller.
Temperature, Surrounding Air, max (SIL 3/PLe)	70 °C (158 °F) for XT Chassis, Series C
Enclosure type rating	None (open-style)
Corrosive Atmosphere • ASTM B845-97 Method H Accelerated Test (20-Day Exposure)	Severity Level G3 ⁽¹⁾ per ANSI/ISA 71.04-2013, Airborne Contaminants—Gases Severity Level CX ⁽²⁾ per IEC 60721-3-3:2019, Chemically Active Substances
Voltage and current ratings	1.20 A @ 5.1V DC 5.0 mA @ 1.2V DC
Isolation Voltage	50V (continuous), Basic Insulation Type, Ethernet to Backplane, USB to Backplane, and USB to Ethernet Type tested at 1000V AC for 60 seconds
Weight, approx	394 g (0.868 lb)
Wire size	Ethernet connections: Ethernet Cabling and Installation according to IEC 61918 and IEC 61784-5-2.
North American/ATEX/IECEx temperature code	T4

(1) Port Plugs must remain installed in unused ports at all times during storage and operation for the product to meet its corrosive atmosphere rating.

(2) Up to 9.6 microns per year, corrosion rate of copper.

European Machinery Directive Approval

The following applies to products with EU Machinery Directive certification:

- Are in conformity with the essential requirements of the EU Machinery Directive (2006/42/EC) when installed in accordance with the instructions contained in the product documentation.
- The type of protection is Cat. 4/PLe according to EN ISO 13849-1 and SIL CL 3 according to EN 62061 when used in combination with the 1756-L8SP or 1756-L8XTSP safety partner.
- The type of protection is Cat. 3/PLd according to EN ISO 13849-1, and SIL CL 2 according to EN 62061 when not used in combination with the 1756-L8SP or 1756-L8XTSP safety partner.
- Comply to Standards EN ISO 13849-1 and reference EC-Type certificate number TÜV 01/205/5611.
- See the Product Certification link at rok.auto/certifications or Declarations of Conformity, Certificates, and other certification details including a full list of safety-related certifications.
- May have catalog numbers followed by a 'K' to indicate a conformal coating option.
- May have catalog numbers with 'XT' to indicate a conformal coating option.

UK Machinery (Safety) Approval

The following applies to products with EU Machinery Directive certification:

- Are in conformity with Supply of Machinery (Safety) Regulations (2008 No. 1597) when installed in accordance with the instructions contained in the product documentation.
- The type of protection is Cat. 4/PLe according to EN ISO 13849-1 and SIL CL 3 according to EN 62061 when used in combination with the 1756-L8SP or 1756-L8XTSP safety partner.
- The type of protection is Cat. 3/PLd according to EN ISO 13849-1, and SIL CL 2 according to EN 62061 when not used in combination with the 1756-L8SP or 1756-L8XTSP safety partner.
- Comply to Standards EN ISO 13849-1 and EN 62061, reference UK-Type certificate number TÜV 01/205U/5611.

Additional Resources

These documents contain additional information concerning related products from Rockwell Automation.

Resource	Description
1756 ControlLogix Controller Specifications Technical Data, publication 1756-TD001	Provides controller specifications, including communication options, memory use, compatibilities, redundancy, and available accessories.
1756 ControlLogix Power Supplies Specifications Technical Data, publication 1756-TD005	Provides technical specifications for ControlLogix power supplies.
1756 ControlLogix Chassis Specifications Technical Data, publication 1756-TD006	Provides chassis specifications, including spacing requirements, mounting dimensions, and available accessories.
ControlLogix Chassis Installation Instructions, publication 1756-IN621	Provides information on how to install ControlLogix chassis.
ControlLogix Power Supply Installation Instructions, publication 1756-IN619	Provides information on how to install ControlLogix standard power supplies.
ControlLogix Redundant Power Supply Installation Instructions, publication 1756-IN620	Provides information on how to install ControlLogix redundant power supplies.
ControlLogix 5580 and GuardLogix 5580 Controllers User Manual, publication 1756-UM543	Provides information on how to configure, select I/O modules, manage communication, develop applications, and troubleshoot the ControlLogix 5580 controllers.
Replacement Guidelines: Logix 5000™ Controllers Reference Manual, publication 1756-RM100	Compares ControlLogix 5580 controllers to ControlLogix 5560/5570 controllers, and provides guidelines on the features, functions, instruction updates, and differences between controllers.
GuardLogix 5580 and Compact GuardLogix 5380 Controller Systems Safety Reference Manual, publication 1756-RM012	Provides information on safety application requirements for GuardLogix 5580 and Compact GuardLogix 5380 controllers in Studio 5000 Logix Designer® applications.
Deploying Industrial Firewalls within a Converged Plantwide Ethernet Architecture Design and Implementation Guide, publication ENET-TD002	Provides detailed information about Converged Plantwide Ethernet (CPWE).
Industrial Automation Wiring and Grounding Guidelines, publication 1770-4.1	Provides general guidelines for installing a Rockwell Automation industrial system.
Product Certifications website, rok.auto/certifications	Provides declarations of conformity, certificates, and other certification details.

You can view or download publications at rok.auto/literature.

Notes:

Rockwell Automation Support

Use these resources to access support information.

Technical Support Center	Find help with how-to videos, FAQs, chat, user forums, Knowledgebase, and product notification updates.	rok.auto/support
Local Technical Support Phone Numbers	Locate the telephone number for your country.	rok.auto/phonesupport
Technical Documentation Center	Quickly access and download technical specifications, installation instructions, and user manuals.	rok.auto/techdocs
Literature Library	Find installation instructions, manuals, brochures, and technical data publications.	rok.auto/literature
Product Compatibility and Download Center (PCDC)	Download firmware, associated files (such as AOP, EDS, and DTM), and access product release notes.	rok.auto/pcdc

Documentation Feedback

Your comments help us serve your documentation needs better. If you have any suggestions on how to improve our content, complete the form at rok.auto/docfeedback.





Waste Electrical and Electronic Equipment (WEEE)



At the end of life, this equipment should be collected separately from any unsorted municipal waste.

Rockwell Automation maintains current product environmental compliance information on its website at rok.auto/pec.

Rockwell Otomasyon Ticaret A.Ş. Kar Plaza İş Merkezi E Blok Kat:6 34752 İçerenköy, İstanbul, Tel: +90 (216) 5698400 EEE Yönetmeliğine Uygundur

Connect with us.    

rockwellautomation.com — expanding **human possibility**[®]

AMERICAS: Rockwell Automation, 1201 South Second Street, Milwaukee, WI 53204-2496 USA, Tel: (1) 414.382.2000, Fax: (1) 414.382.4444

EUROPE/MIDDLE EAST/AFRICA: Rockwell Automation NV, Pegasus Park, De Kleetlaan 12a, 1831 Diegem, Belgium, Tel: (32) 2 663 0600, Fax: (32) 2 663 0640

ASIA PACIFIC: Rockwell Automation, Level 14, Core F, Cyberport 3, 100 Cyberport Road, Hong Kong, Tel: (852) 2887 4788, Fax: (852) 2508 1846

UNITED KINGDOM: Rockwell Automation Ltd. Pitfield, Kiln Farm Milton Keynes, MK11 3DR, United Kingdom, Tel: (44)(1908) 838-800, Fax: (44)(1908) 261-917

Allen-Bradley, ControlLogix, ControlLogix-XT, expanding human possibility, FactoryTalk, GuardLogix, Rockwell Automation, Studio 5000 Automation Engineering & Design Environment, and Studio 5000 Logix Designer are trademarks of Rockwell Automation, Inc.

EtherNet/IP is a trademark of ODVA, Inc.

Trademarks not belonging to Rockwell Automation are property of their respective companies.