

Bulletin 2094 Power Rail

The Bulletin 2094 power rail is compatible with Kinetix 6000, Kinetix 6000M, Kinetix 6200, and Kinetix 6500 drive families. This section contains selection information, mounting dimensions, and catalog numbers for the 2094-PRS x (slim) power rails. Bulletin 2094 power rails are compatible with all 200V-class and 400V-class drive modules.

Catalog Numbers - Bulletin 2094 Power Rails

Power Rail Cat. No.	Description ⁽¹⁾
2094-PRS1	1 axis power rail. Bulletin 2094 IAM module without any additional drive modules.
2094-PRS2	2 axis power rail. Bulletin 2094 IAM module with up to one additional drive module.
2094-PRS3	3 axis power rail. Bulletin 2094 IAM module with up to two additional drive modules.
2094-PRS4	4 axis power rail. Bulletin 2094 IAM module with up to three additional drive modules.
2094-PRS5	5 axis power rail. Bulletin 2094 IAM module with up to four additional drive modules.
2094-PRS6	6 axis power rail. Bulletin 2094 IAM module with up to five additional drive modules.
2094-PRS7	7 axis power rail. Bulletin 2094 IAM module with up to six additional drive modules.
2094-PRS8	8 axis power rail. Bulletin 2094 IAM module with up to seven additional drive modules.

(1) Bulletin 2094 drive modules include axis modules, shunt module, and slot-filler modules.

Technical Specifications - Bulletin 2094 Power Rails

IAM, AM, and Shunt Module Slot Requirements

IAM Module Cat. No.	Converter Slot Used	Inverter Slots Used	
2094-AC05-MP5-S	200V-class	1	
2094-AC05-M01-S		1	
2094-AC09-M02-S		1	
2094-AC16-M03-S		1	
2094-AC32-M05-S		2	
2094-BC01-MP5-S 2094-BC01-MP5-M	400V-class	1	
2094-BC01-M01-S 2094-BC01-M01-M		1	
2094-BC02-M02-S 2094-BC02-M02-M		1	
2094-BC04-M03-S 2094-BC04-M03-M		2	
2094-BC07-M05-S 2094-BC07-M05-M		2	
Shunt Module Cat. No.		Converter Slot Used	Inverter Slots Used
2094-BSP2		200/400V-class	0

AM Module Cat. No.	Converter Slot Used	Inverter Slots Used
2094-AMP5-S	200V-class	1
2094-AM01-S		1
2094-AM02-S		1
2094-AM03-S		1
2094-AM05-S		1
2094-BMP5-S 2094-BMP5-M	400V-class	1
2094-BM01-S 2094-BM01-M		1
2094-BM02-S 2094-BM02-M		1
2094-BM03-S 2094-BM03-M		2
2094-BM05-S 2094-BM05-M		2
IPIM Module Cat. No.		Converter Slot Used
2094-SEPM-B24-S	400V-class	0

IAM modules (catalog numbers 2094-AC32-M05-S, 2094-BC04-M03- x , and 2094-BC07-M05- x) and AM modules (catalog numbers 2094-BM03- x and 2094-BM05- x) are double-wide modules and require two slots on the power rail.

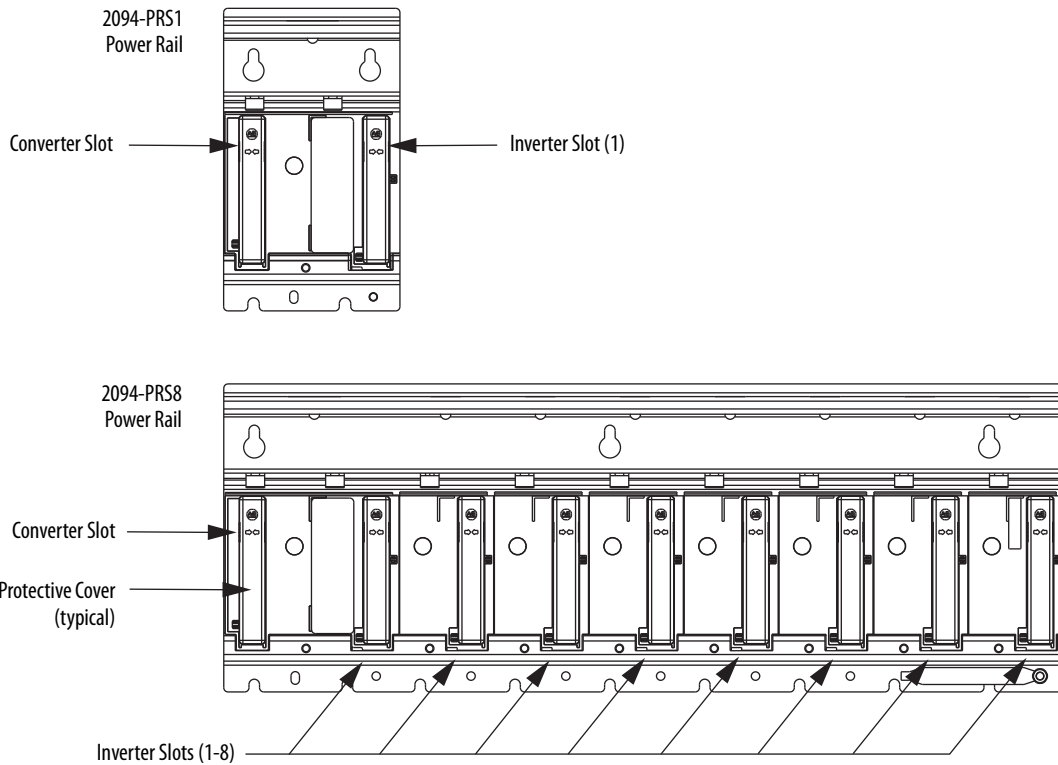
The leftmost slot on each power rail is the converter slot, which is used by only the IAM module. All other slots are inverter slots and are used by the AM, IPIM, or shunt module (refer to the figure below). The power rail catalog number indicates the number of available inverter slots.

For example, the 2094-PRS1 power rail contains one inverter slot. This limits the use of this power rail to systems requiring only one inverter slot. Similarly, the 2094-PRS8 power rail contains eight inverter slots. This limits the use of this power rail to systems requiring up to eight inverter slots.

When selecting a power rail, determine the number of inverter slots required by all rail-mounted modules and select a power rail with that minimum number of inverter slots.

IMPORTANT If you select a power rail with slots exceeding the minimum required for your system, you must install a 2094-PRF slot-filler module in each unused slot.

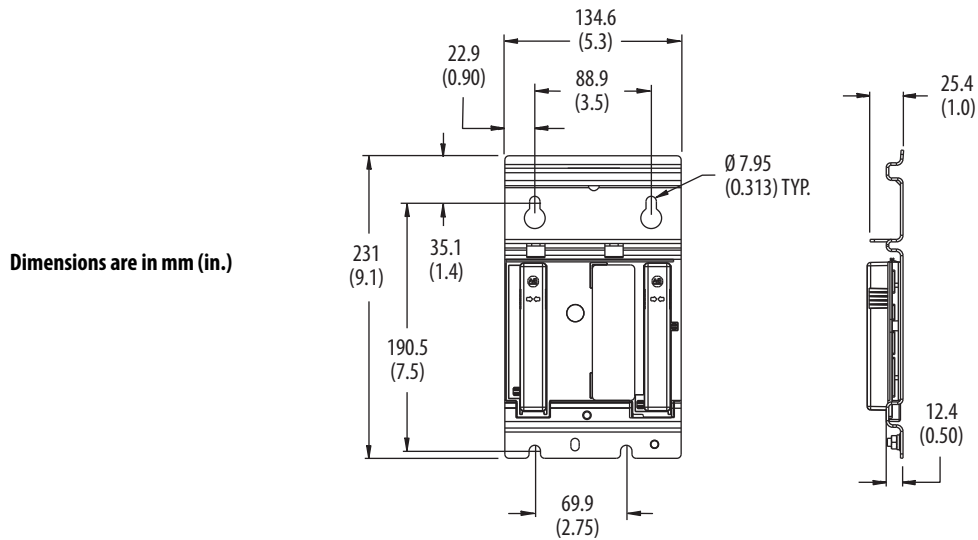
Power Rail Slots



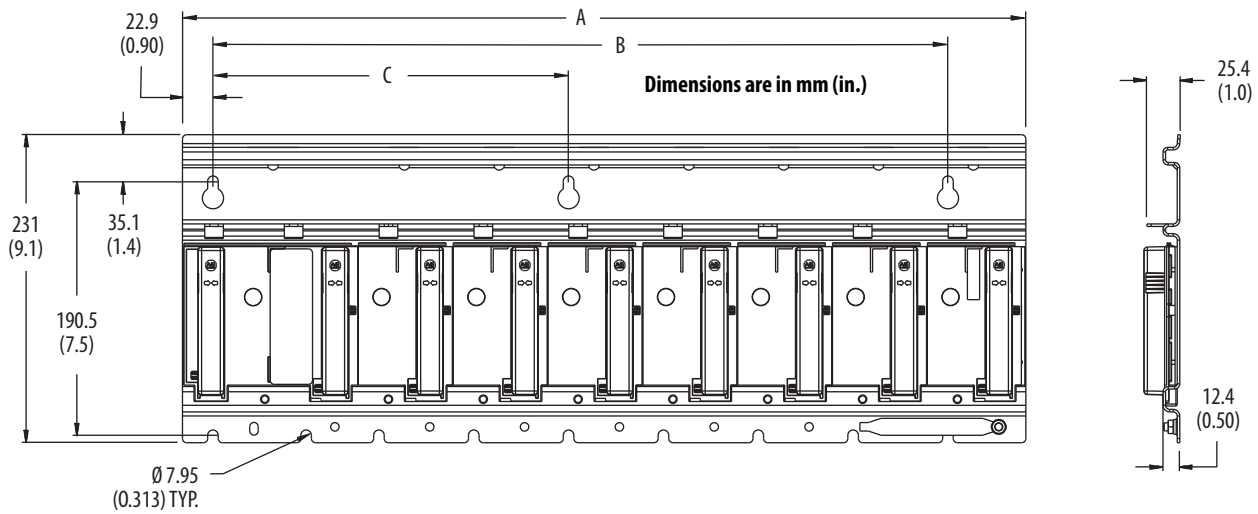
TIP The Bulletin 2094 power rails ship with a protective cover over the converter and inverter slot pins.

Dimensions - Bulletin 2094 Power Rails

Catalog Number 2094-PRS1



Catalog Numbers 2094-PRS2, 2094-PRS3, 2094-PRS4, 2094-PRS5, 2094-PRS6, 2094-PRS7, and 2094-PRS8



Power Rail Cat. No.	Description	Dimension A mm (in.)	Dimension B mm (in.)	Dimension C mm (in.)
2094-PRS1	Refer to figure above.			
2094-PRS2	2 axis power rail	205.7 (8.10)	124.5 (4.90)	N/A
2094-PRS3	3 axis power rail	276.9 (10.90)	195.6 (7.70)	N/A
2094-PRS4	4 axis power rail	348.0 (13.70)	266.7 (10.50)	N/A
2094-PRS5	5 axis power rail	419.1 (16.50)	337.8 (13.30)	195.6 (7.70)
2094-PRS6	6 axis power rail	490.2 (19.30)	408.9 (16.10)	195.6 (7.70)
2094-PRS7	7 axis power rail	561.3 (22.10)	480.1 (18.90)	266.7 (10.50)
2094-PRS8	8 axis power rail	632.5 (24.90)	551.2 (21.70)	266.7 (10.50)

Bulletin 2094 Mounting Brackets

The Bulletin 2094 mounting brackets (catalog number 2094-XNBRKT-1) are designed to save panel space by letting you mount the Bulletin 2094 power rail or line interface module (LIM) over the AC line filter.

Each bracket provides threaded holes for mounting the 2094 power rail or LIM (catalog numbers 2094-ALxxS and 2094-XL75S-Cx). The number of brackets required for use with the power rail and LIM are shown in the table below.

Module to Mount	Brackets Required
LIM (2094-ALxxS and -XL75S-Cx)	2
Power rail (PRSx) 1...4 axis	2
Power rail (PRSx) 5...8 axis	3

IMPORTANT The 2094-BLxxS, 2094-AL09, and 2094-BL02 LIM models are not compatible with the 2094 mounting brackets.

Mounting Bracket Configurations

In the figure below, the power rail (catalog number 2094-PRSx) is shown mounted on Bulletin 2094 Mounting Brackets.

Power Rail on 2094 Mounting Brackets

