

General Specifications

GS 33K50E30-50E

Models AFV10S, AFV10D
Field Control Unit
Duplexed Field Control Unit
(for Vnet/IP and FIO, 19-inch Rack
Mountable Type)



[Release 5]

■ GENERAL

This GS covers the hardware specifications of the Field Control Unit (FCU) which is the core of the control function of the Field Control Station (FCS).

■ HARDWARE SPECIFICATIONS

For the installation specifications and the environmental conditions common to the systems, refer to "Vnet/IP System Overview (Vnet/IP Edition)" (GS 33K01A10-50E).

Processor

VR5432 (133 MHz)

Main Memory Capacity

32 Mbyte

Memory Protection During Power Failure

Battery

Battery Back-up for Main Memory: Max. 72 hours

Battery Recharge Time: Min. 48 hours

FCU Status Contact Output

2 terminals (NC, C)

Contact Points open during FCU failure

Contact Rating: 30 V DC, max. 0.3 A

Communication Interface

Vnet/IP Interface: Dual-redundant

For more details, refer to "Integrated Production Control System CENTUM VP System Overview (Vnet/IP Edition)" (GS 33K01A10-50E).

No. of Node Units Connectable

Max. 14/FCU

The total number of ESB Bus Node Units and ER Bus Node Units that can be connected to FCU are 14 or less. (ESB Bus Node Units: 9 or less)

LFS1500 allows up to 3 nodes, and can be expanded to 14 if LFS1550 Application capacity Expansion Package (for AFV10□) is added.

To connect a node unit to the FCU, a Node Unit Expansion License (Option code: /NDEL) is required for the node unit.

Module configuration

Power Supply Module (PW481 or PW482 or PW484):
Two modules in case of a dual-redundant configuration.

Processor Module (CP451): Two modules in case of a dual-redundant configuration.

I/O Modules(*1): Max. 8

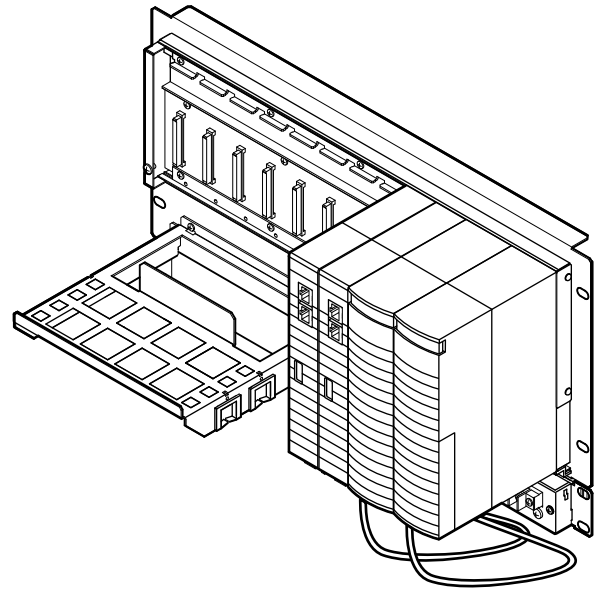
*1: Non-standard components.

ESB Bus Node Units Connection

When connecting an ESB Bus Node Unit to FCU, install ESB Bus Coupler Module (EC401) on FCU. EC401 must be installed in slot 7 and slot 8.

For the dual-redundant configuration of the processor modules, EC401 must be installed in both slot 7 and slot 8.

In case ESB Bus has a single configuration, EC401 must be installed in slot 7 and keep slot 8 empty.



F01E.ai

[19-inch Rack Mountable Type FCU]

ER Bus Node Units Connection

When connecting an ER Bus Node Unit to FCU, install ER Bus Interface Master Module (EB401) on FCU.

To make single configuration, EB401 must be installed in an odd-number slot, and keep empty the right side of the installed EB401.

See "ER Bus Interface Master Module (for FIO)" (GS 33K50F40-50E) for further information.

Power Supply

Voltage: 100-120 V AC, Frequency: 50/60 Hz

Voltage: 220-240 V AC, Frequency: 50/60 Hz

Voltage: 24 V DC

Specify with Suffix Codes.

Power Consumption

100-120 V AC: 200 VA

220-240 V AC: 230 VA

24 V DC: 5.5 A

Weight

Approx. 7 kg (AFV10S)

Approx. 8 kg (AFV10D)

Mounting

19-inch Rack Mounting:

Rack mount (8 x M5 screws)

Insulation bush (accessory)

Connection

Power Supply: M4 screw terminal connection

Grounding: M4 screw terminal connection

Contact Output: M4 screw terminal connection

Network: Connect UTP cable (CAT5e or better) to Layer 2 switch.

Regulatory Compliance

For the detailed information of following standards, see "System Overview (Vnet/IP Edition)" (GS 33K01A10-50E).

Safety Standards

- [CSA] (for 100-120 V AC power supply)
- [CE Marking] (for 100-120 V AC and 220-240 V AC power supply)

EMC Conformity Standards

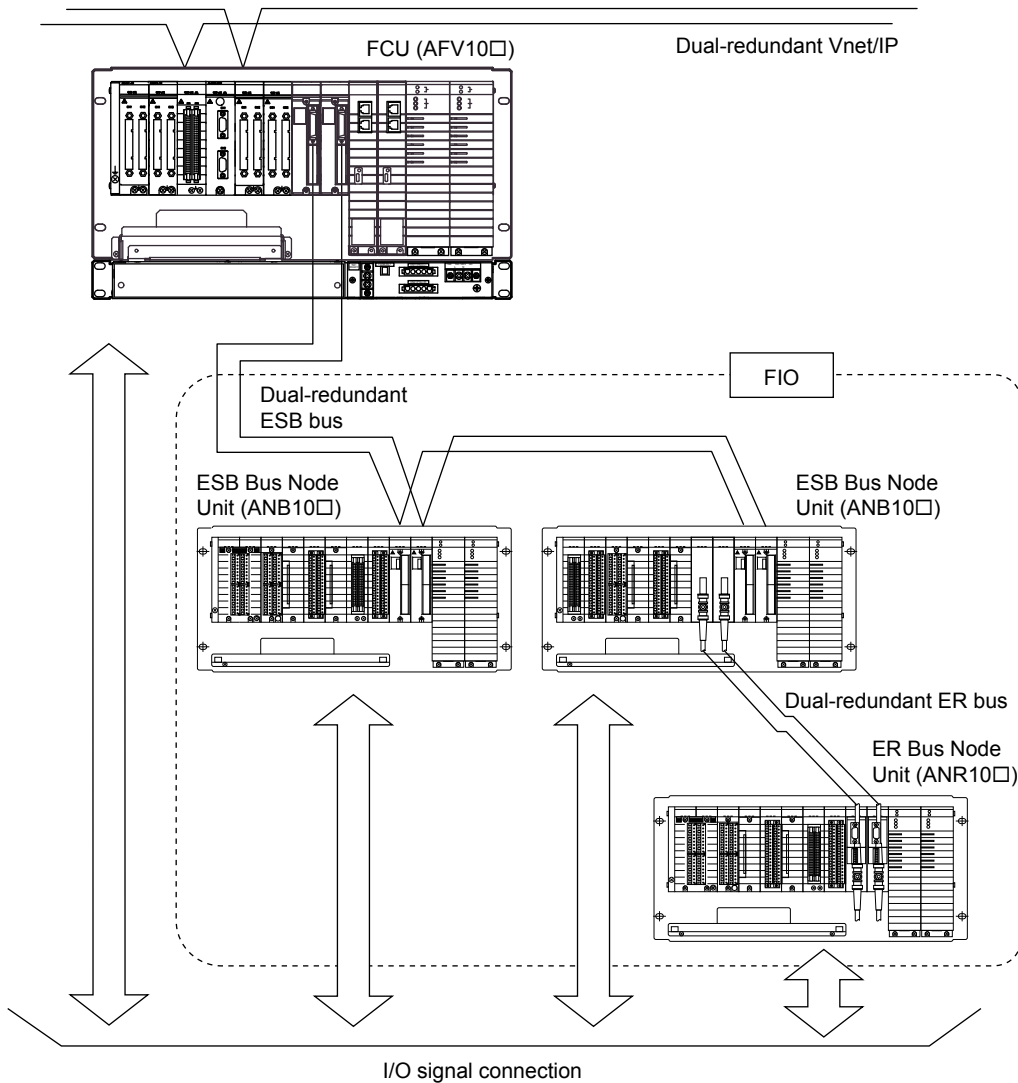
- [CE Marking] (for 100-120 V AC, 220-240 V AC and 24 V DC power supply)
- [C-Tick Marking] (for 220-240 V AC and 24 V DC power supply)
- [KC Marking] (for 100-120 V AC, 220-240 V AC and 24 V DC power supply)

Standards for Hazardous Location Equipment

- [FM Non-Incendive] (for 100-120 V AC, 220-240 V AC and 24 V DC power supply)
- [Type n] (for 24 V DC power supply)

System Configuration

The FCS consists of the FCU and Node Units, and the ESB bus or the ER bus to connect them together.



F02E.ai

Figure System Configuration

■ LIMITATIONS OF INSTALLATION AND NOTICES FOR INSTALLATION

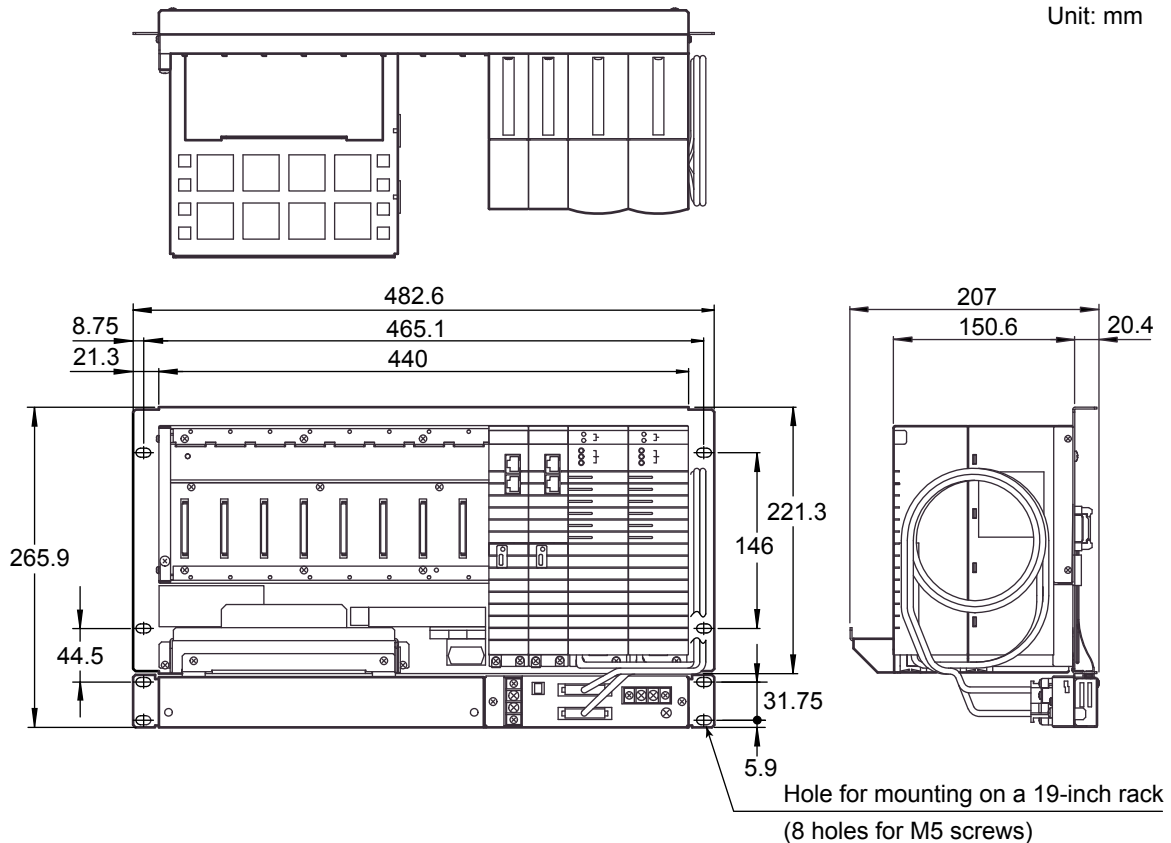
For installing I/O modules in AFV10S and AFV10D, the quantity and allocation are limited.

Also, when installing a node unit to the dedicated cabinet, there are limitations of installation under the ambient operating temperature conditions.

When modules with built-in barriers are installed in AFV10□, an insulating partition kit (Part No. T9083ND) must be installed.

For details, please refer to "FIO System Overview (for Vnet/IP)" (GS 33K50F10-50E) and "Installation Guidance" (TI 33K01J10-50E).

■ EXTERNAL DIMENSIONS



F03E.ai

■ SOFTWARE REQUIREMENT

For AFV10S and AFV10D, the Control Function for Field Control Station (LFS1500) is required. Specify these control functions with suffix codes.

The number of the connectable node units and the application capacity can be expanded if the Node Expansion Package (LFS1550) is purchased.

For the specifications of LFS1500 and LFS1550, refer to GS 33K15C20-50E.

■ REQUIREMENTS FOR USING SEM (SEQUENCE OF EVENTS MANAGER)

To use SEM for Vnet/IP, AFV10□ should be style 2 or later. (Style No. is indicated on the component tag)

For details, refer to "SEM Sequence of Events Manager (for Vnet/IP and FIO)" (GS 33K30D10-50E).

■ ACCESSORIES AND SPARE PARTS

The spare parts listed below are provided with the FCU.

Parts Names	Parts Numbers	Description	Quantity	Remarks
Insulating bush	S9049PM	-	8	Accessory

■ MODELS AND SUFFIX CODES

Field Control Unit

		Description
Model	AFV10S	Field Control Unit (for Vnet/IP and FIO, for 19-inch Rack Mountable)
Suffix Codes	-S	Standard type
	3	Dual-Redundant Vnet/IP, Single power supply
	4	Dual-Redundant Vnet/IP, Dual-Redundant power supply
	1	Always 1
	1	100–120 V AC power supply
	2	220–240 V AC power supply
	4	24 V DC power supply
	0	Basic type
Option Code	/ATDOC	Explosion Protection Manual (*1)

*1: Select the option code "/ATDOC" to follow the ATEX Directive for use in potentially explosive atmospheres.

Duplexed Field Control Unit

		Description
Model	AFV10D	Duplexed Field Control Unit (for Vnet/IP and FIO, for 19-inch Rack Mountable)
Suffix Codes	-S	Standard type
	4	Dual-Redundant Vnet/IP, Dual-Redundant power supply
	1	Always 1
	1	100–120 V AC power supply
	2	220–240 V AC power supply
	4	24 V DC power supply
	0	Basic type
	1	With ISA Standard G3 option
Option Code	/ATDOC	Explosion Protection Manual (*1)

*1: Select the option code "/ATDOC" to follow the ATEX Directive for use in potentially explosive atmospheres.

Insulating Partition Kit

Part No.	Description
T9083ND	Insulating Partition Kit

Configuration of Insulating Partition Kit

Part No.	Description
T9083NE	Insulating Partition
T9083NG	Insulating Partition for V net
Y9306LB	2 screws for T9083NG

■ ORDERING INFORMATION

Specify model and suffix codes.

■ TRADEMARK

- CENTUM and Vnet/IP are registered trademarks of Yokogawa Electric Corporation.
- Other company and product names appearing in this document are trademarks or registered trademarks of their respective holders.