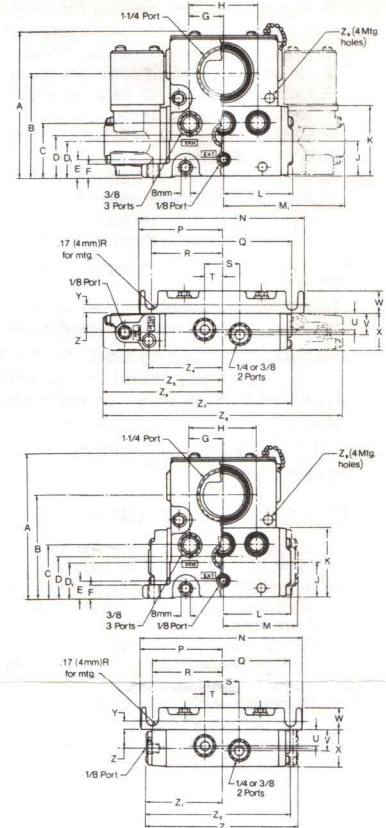


		Single Pressure		Dual Pressure	
		PS2001BP		PS2005BP	
SINGLE OPERATOR VALVE BODY SERVICE KITS CONSISTING OF ITEMS 7A, 16, 18, 21, 23, 24, 25, 27					
DOUBLE OPERATOR VALVE BODY SERVICE KITS CONSISTING OF ITEMS 7A, 16, 18, 21, 23, 25		PS2003BP		PS2007BP	
SOLENOID SERVICE KIT (Two Required for Double Solenoid) CONSISTING OF ITEMS 2, 3, 4, 6, 7, 14, 15				PS2013BP	
PILOT BODY SERVICE KIT (Two Required for Double Solenoid) CONSISTING OF ITEMS 7A, 10, 11, 11A, 12, 13, 16, 18				PS2015BP	

ITEM NO.	DESCRIPTION	QTY.	SINGLE SOLENOID	QTY.	SINGLE AIR	QTY.	DOUBLE SOLENOID	QTY.	DOUBLE AIR
1	Solenoid Assembly (See Chart)	1				2			
1A	Solenoid Assembly (ISO 4400)	1							
2	Guide Sleeve	1	Kit			2	Kit		
3	Plunger Assembly	1	Kit			2	Kit		
4	Override Seal	1	Kit			2	Kit		
5	Solenoid Top Plate	1	P00505B			2	P00505B		
6	Seal (Solenoid to Pilot Body)	1	Kit			2	Kit		
7	Screws (Metric M4 x 0.7-50 mm)	2	Kit			4	Kit		
7A	Screws (Metric M4 x 0.7-50 mm)	2	Kit			4	Kit		
8	Pilot Body	1	N.S.S.			2	N.S.S.		
9	Ground Screw	1	K31R14025			2	K31R14025		
9A	Cup Washer	1	K31R23001			1	K31R23001		
10	Spring (Poppet Return)	1	Kit			2	Kit		
11	Poppet Assembly	1	Kit			2	Kit		
11A	Lip Seal	1	Kit			2	Kit		
12	Bore Insert	1	Kit			2	Kit		
13	Seals (Bore Insert)	2	Kit (*2-011)			4	Kit (*2-011)		
14	Plunger Pin	1	Kit			2	Kit		
15	Fixed Pole Assembly	1	Kit			2	Kit		
16	Seal (Pilot Body to Adaptor Plate)	1	Kit			2	Kit		
17	Solenoid Adaptor Plate	1	P00569B			2	P00569B		
18	Seal (Body End Seal)	2	Kit	2	Kit	2	Kit	2	Kit
19	Remote Pilot Plate			1	P0057101			2	P0057101
20	End Bumper			1	P00570			2	P00570
21	Screws (Metric, M4 x 0.7-16 mm)			2	Kit			4	Kit
22	Valve Body	1	N.S.S.	1	N.S.S.	1	N.S.S.	1	N.S.S.
23	Spool	1	Kit	1	Kit	1	Kit	1	Kit
24	Seal (Spoc. Piston)	1	Kit	1	Kit				
25	Seal (Spool)	1	Kit	1	Kit	2	Kit	2	Kit
26	End Cap (Air Return)	1	P00568	1	P00568				
27	Screws (Metric M4 x 0.7-12 mm)	2	Kit	2	Kit				
28	Junction Box	1		1		1		1	
29	Screws (Metric M4 x 0.7-12 mm)	2		2		2		2	
30	Seal (Junction Box to Body)	2		2		2		2	
31	Top Plate Assembly	1		1		1		1	
32	Seal (Solenoid to Junction Box)	1	*2-205	2	*2-205	1	*2-205	1	*2-205
33	Seal (Valve Body)	1	*2-108	1	*2-108	1	*2-108	1	*2-108
34	Seal (Valve Body)	3	*2-113	3	*2-113	3	*2-113	3	*2-113
35	Seal (Junction Box)	1	*2-222	1	*2-222	1	*2-222	1	*2-222
36	Electrical Plug (1/2-14 NPT)	1	K31R21050N	2	K31R21050N	2	K31R21050N	2	K31R21050N
37	End Plate	2		2		2		2	
38	Screws (Metric M5 x 0.8-16 mm)	4		4		4		4	
39	Washer	8		8		8		8	
40	Tie Rod	4		4		4		4	
41	Nut (Tie Rod)	4		4		4		4	
42	Seal (End Plate/Body-Int. Pilot)	1	*2-126	1	*2-126	1	*2-126	1	*2-126
43	Seal (End Plate/Body-Int. Pilot)	2	*2-117	2	*2-117	2	*2-117	2	*2-117
44	Seal (End Plate/Body-Ext. Pilot)	3	*2-117	3	*2-117	3	*2-117	3	*2-117
45	Seal (End Plate/Body-Ext. Pilot)	1	*2-113	1	*2-113	1	*2-113	1	*2-113

*Parker Seal Size N.S.S.—Not Sold Separately

Single pressure valve spools have (1) identification groove as shown in cutaway. Dual pressure valve spools have (2) grooves. WHEN ORDERING PARTS: Be sure to show complete Model Number of Valve involved and give complete information as to Quantity, Part Number and Part Name of items required. If ordering Solenoid Coils, be sure to give Voltage and Frequency. If NO voltage and frequency information is given, 120V - 60 Hz Coils will be furnished.



DIMENSIONAL DATA

	inches	mm		inches	mm
A	4.55	116	S	1.05	27
B	3.19	81	T	.53	13
C	1.62	41	U	.50	13
D	1.31	33	V	.64	16
D ₁	1.47	37	W	.84	21
E	.47	12	X	1.14	29
F	.38	10	Y	.42	11
G	1.50	27	Z	.57	14
H	2.10	53	Z ₁	2.30	58
J	1.07	27	Z ₂	4.40	112
K	2.13	54	Z ₃	4.60	117
L	2.10	53	Z ₄	2.26	57
M	2.30	58	Z ₅	3.01	76
M ₁	3.65	93	Z ₆	3.65	93
N	5.00	127	Z ₇	5.75	146
P	2.50	63	Z ₈	7.30	186
Q	4.25	108	Z ₉	.27	7
R	2.12	54			